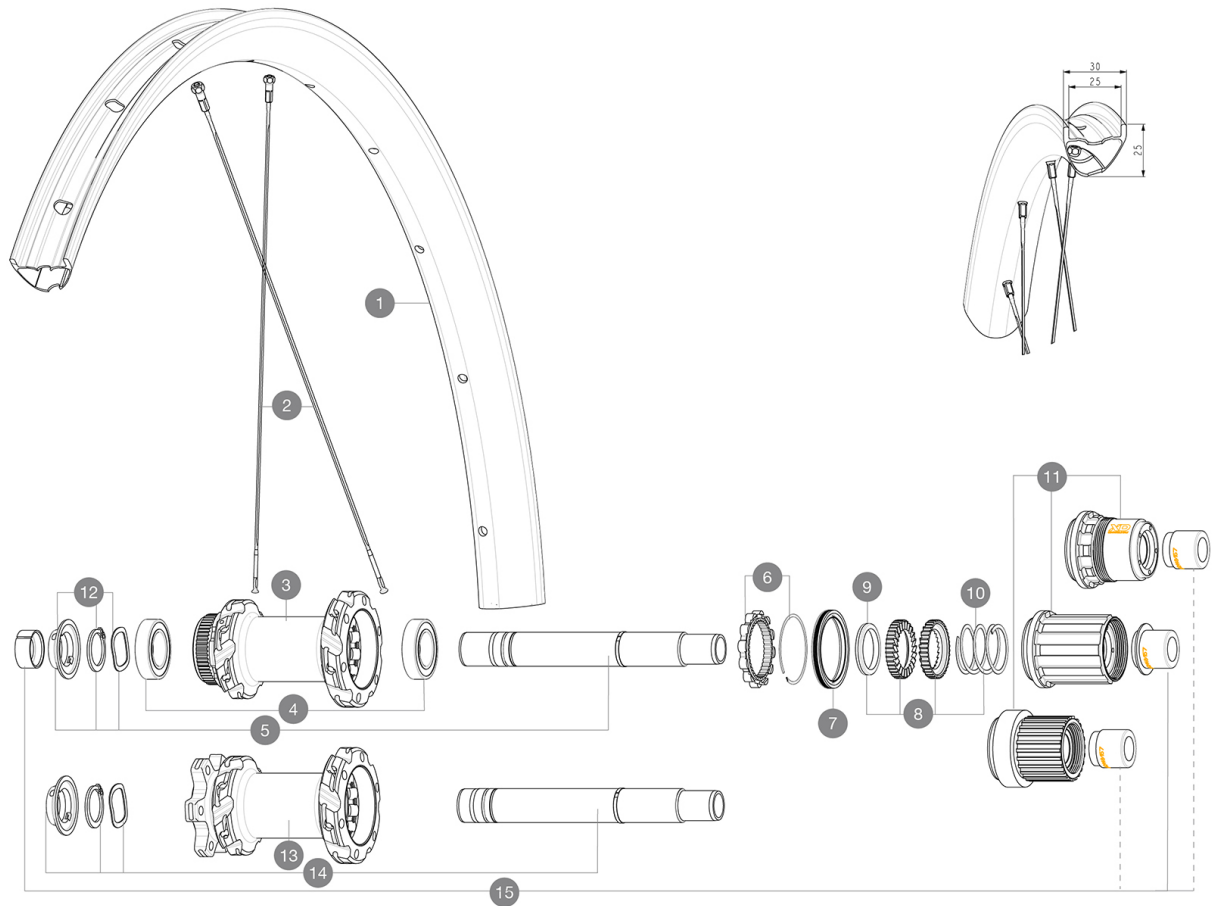


REFERENCES WHEELS



RIMS



&NBSP;:

| | | |
|----------|-----------|----------------------------------------|
| 1 | V00004731 | Kit Front/Rear rim Crossmax SLR 29" 22 |
| | V2700101 | UST Tape 28mm for 25 to 27mm wide rims |

SPOKES

| | | |
|----------|----------|-----------------------------------------|
| 2 | V2389101 | Kit 12Fr/Rr XmaxSL Ultimate spk293+np&w |
|----------|----------|-----------------------------------------|

HUB SHELLS

| | | |
|-----------|----------|------------------------------------------------------------|
| 3 | N/A | HUB BODY |
| 4 | M40076 | HUB BEARINGS 17x30x7 6903 x 2 |
| 5 | V2375701 | Kit ID360 148 DCL axle with circlip |
| 6 | V2252701 | KIT ID360 INSERT SHAPED EAR LOBE > 2017 |
| 7 | V2251601 | KIT ID360 SEAL + GREASE |
| 8 | V2375201 | KIT ID360 24 TEETH 2 RATCHET + MTB SPRING + PAD (specific) |
| 9 | V2375401 | KIT ID360 MTB 24T 3 NOISE REDUCING PADS |
| 10 | V2372901 | KIT 3 ID360 MTB SPRINGS |
| 11 | V3740101 | XD MTB Freewheel Body ID360 |
| 11 | V3990101 | MicroSpline MTB Freewheel Body ID360 |
| 11 | V3780101 | HG9 Alloy MTB Freewheel Body ID360 |
| 12 | V2373001 | KIT ADJUST. SYSTEM QRM AUTO ID360 for 17x30x7 bearing |
| 13 | N/A | HUB BODY |
| 14 | V2372201 | KIT ID360 148 D6T AXLE WITH CLIP |
| 15 | V2510701 | ID360V2RrAxleAdapt12x142/148 |

OPTIONS

| | | |
|----------|----------|-----------------------------------------------------------|
| 8 | V2372801 | KIT ID360 2x40 TEETH RATCHETS + MTB SPRING + GREASE + PAD |
|----------|----------|-----------------------------------------------------------|

MAVIC *Crossmax SL R 29*

Specifications

WHEEL WEIGHTS